

TURNER M+2 Amplifier Assembly

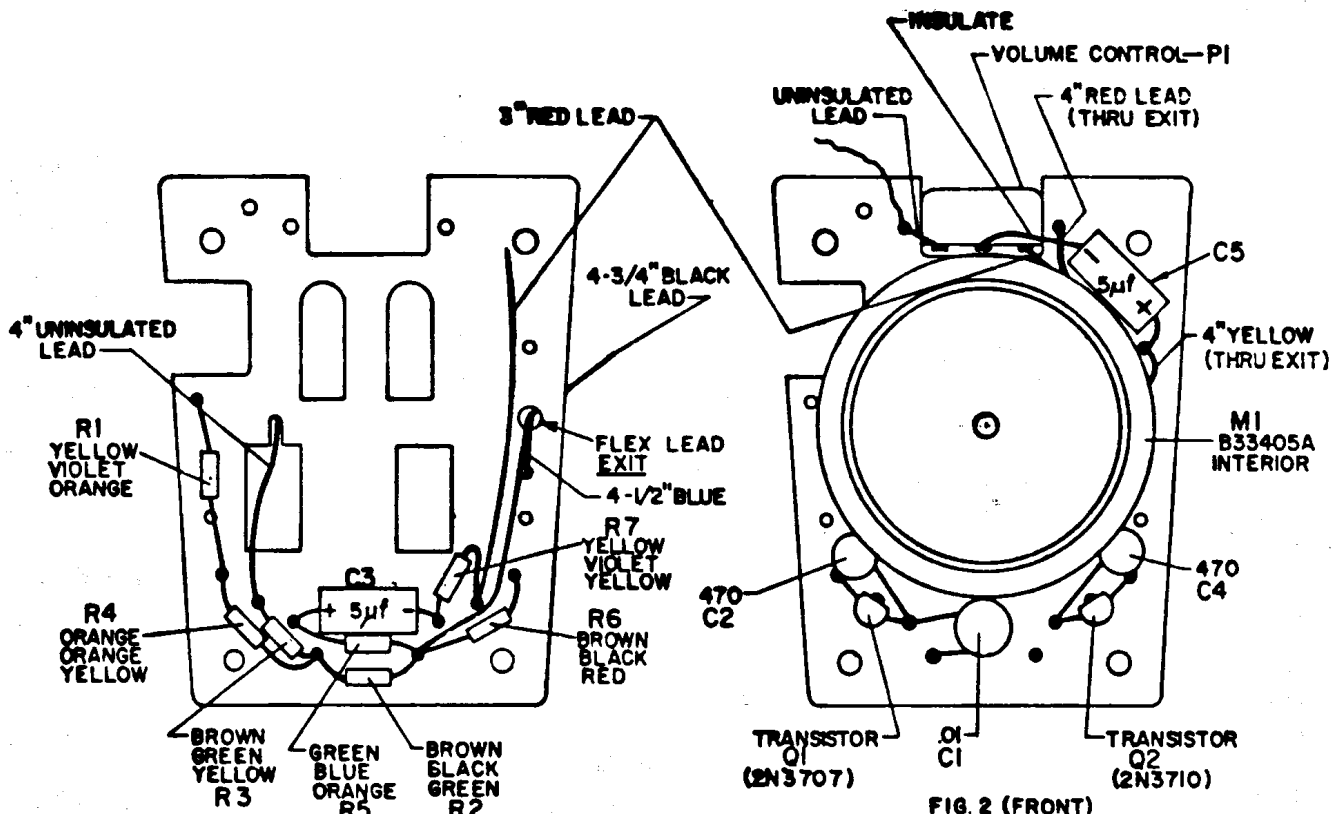


FIG. 1 (FRONT)

FIG. 2 (FRONT)

NOTE - MOUNT COMPONENTS SHOWN DIRECTLY ON TOP OF THOSE SHOWN FIG. 1

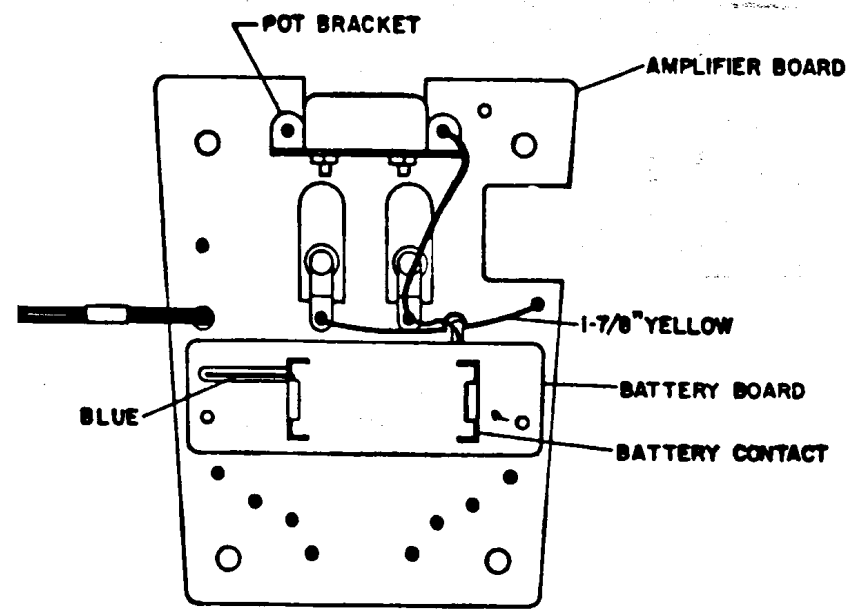
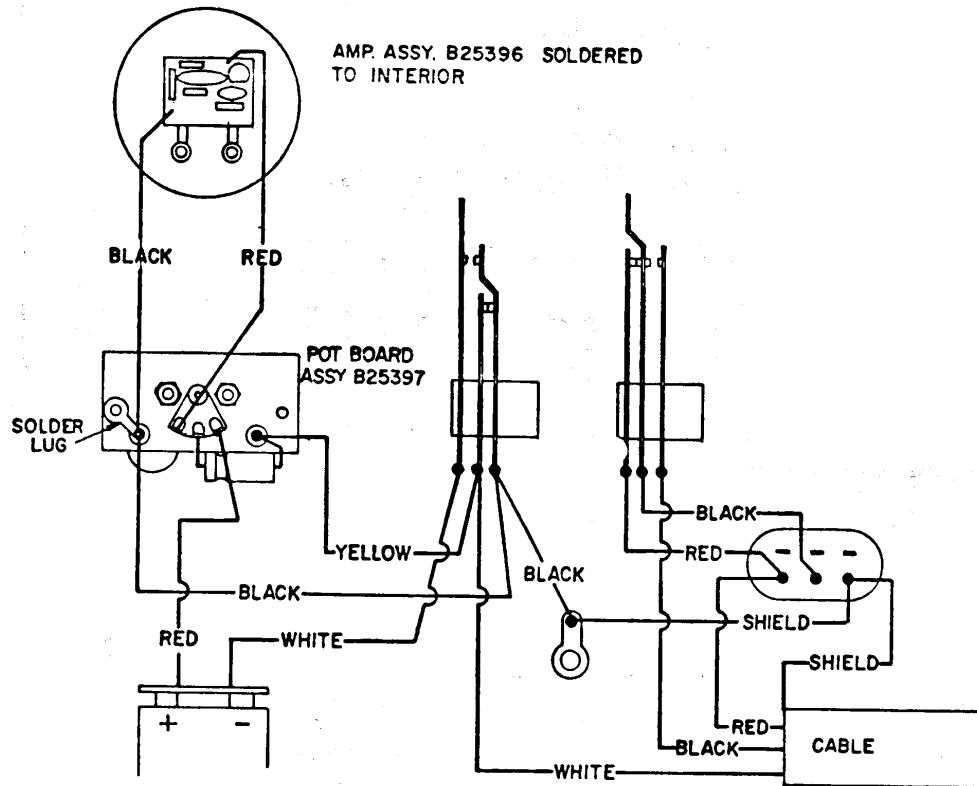
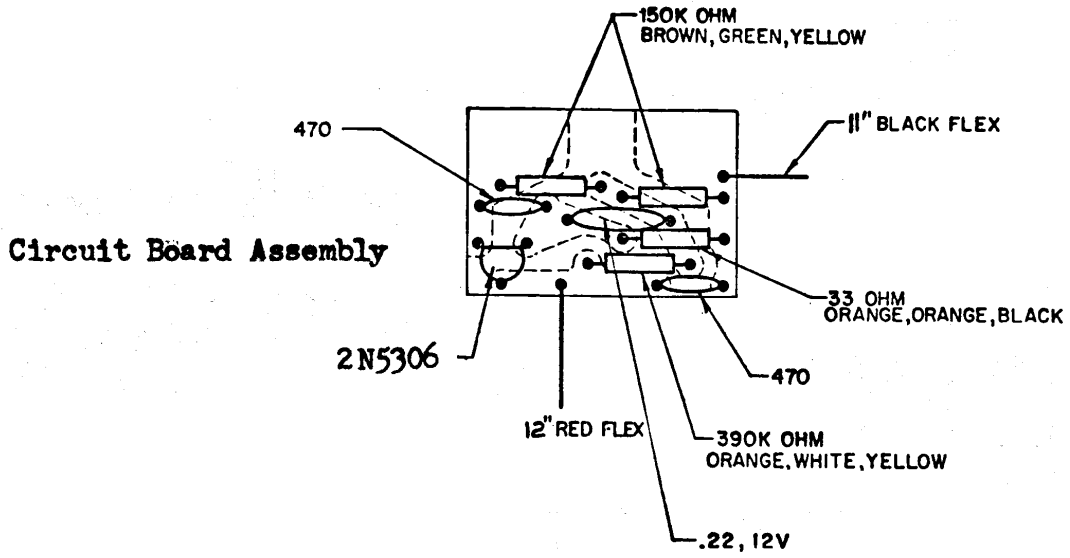


FIG. 3 (REAR)



Wiring Diagram

